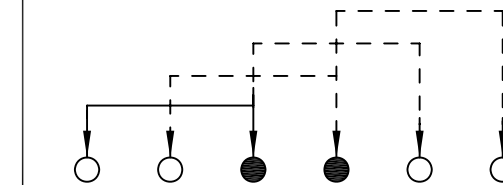
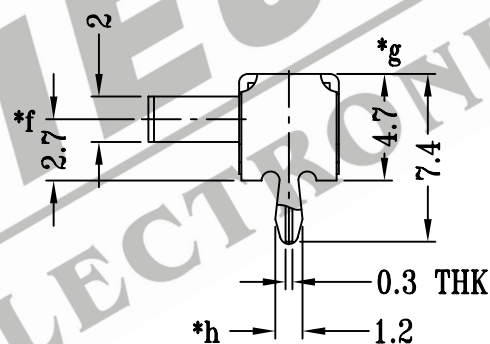
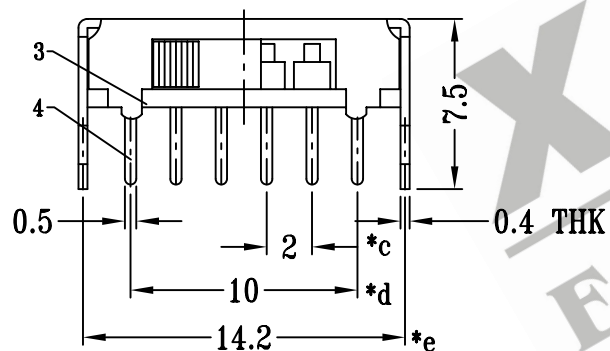
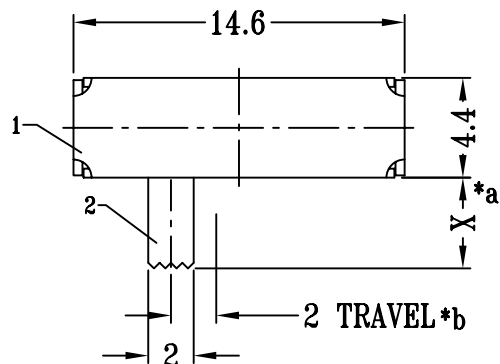
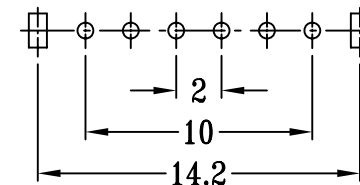


CAD FILE:



SCHMATIC (SHORTING)



P.C.B LAYOUT

注:带*表示关键尺寸(7个)

				TOLERANCE UNLESS SPECIFIED		SHENZHEN XIEJIA ELECTRONICS CO.,LTD.					
				WITHIN: 1.5±0.1mm		ISSUE	DATE	DESCRIPTIONS		APPD.	
				OVER : 1.5±0.2mm							
8						TITLE : HORIZONTAL SLIDE SWITCH					
7										UNIT : MM	
6	SPRING PLATE	STAINLESS STEEL	1	NATURAL	MODEL: SK-14D01				DRWG NO.: XJ-DR-SK14D01-00		
5	CONTACT CLIP	PBS	1	Ag CLAD					SCALE: 3 : 1		DWN.
4	TERMINAL	BRASS STRIP	6	Ag PLATED OVER Ni PLATED	ALL MATERIALS MUST BE COMPLIANT TO ROHS				CHK'D	FANGYING	2001-7-5
3	BASE	PHENOLIC RESIN	1	NATURAL					APPD.	KANGXINAN	2001-7-5
2	KNOB	POM	1	BLACK							
1	FRAME	STEEL STRIP	1	Ni PLATED							
NO.	PART NAME	MATERIAL	Q'TY	FINISHING							